

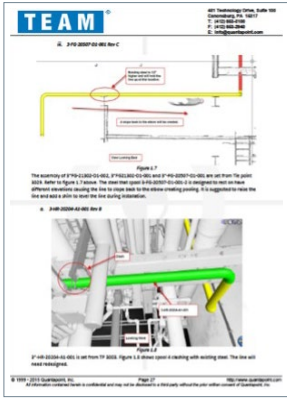
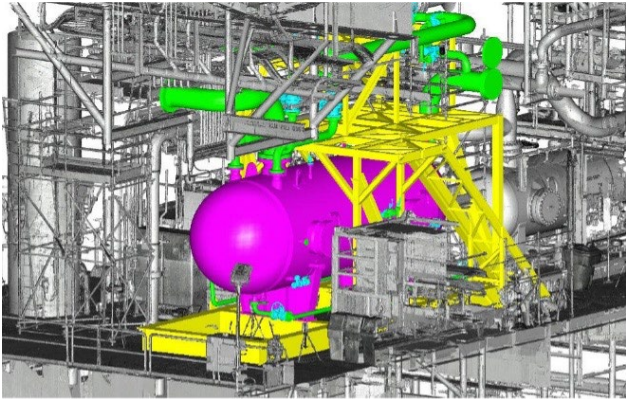
3D Technology Services Reduce Risk and Optimize Project Performance

TEAM uses advanced 3D data-capture technologies to provide analysis, quality control, documentation and decision support services to help clients eliminate the most common sources of preventable defects from across the project lifecycle.

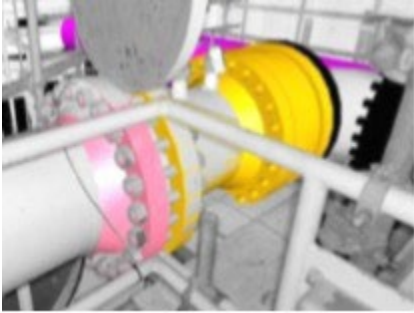


Services Offered

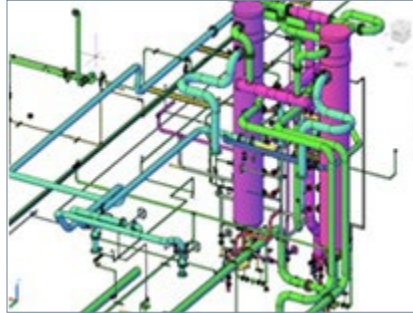
- + 3D Laser Scanning
- + Metrology Services
- + Intelligent 3D CAD Services
- + Replace-in-Kind Isometrics
- + P&ID Verification
- + Vessel and Equipment Drawings
- + Interference Detection
- + Constructability Review
- + Fabrication Verification
- + Laser Scanning Software



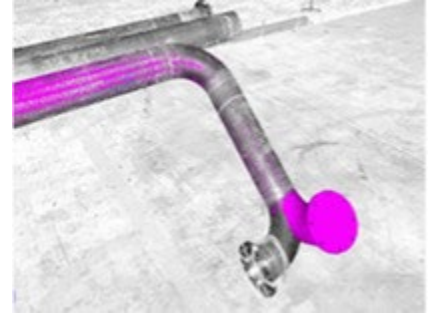
Mechanical Services



**Design Analysis and
Interference Detection**

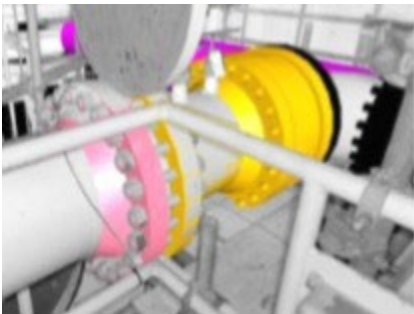


**3D CAD Services and
Replace-In-Kind Isometrics**

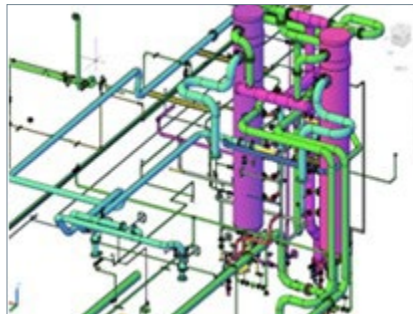


**Fabrication Verification
and Reporting**

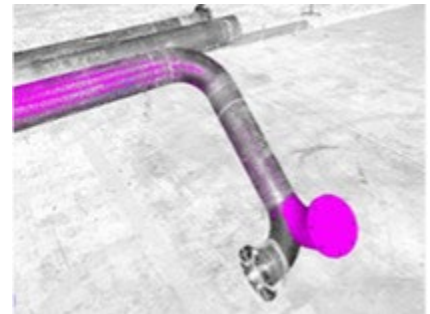
Inspection and Compliance



**3D Laser Scanning
and Metrology**



**Inspection Isometrics
and Asset Tagging**



**Remote Line Tracking
and P&ID Development**

Operations Manager

Mike Schuetz

724.749.4712

m.schuetz@teaminc.com

Gulf Coast Sales

Johnny Gonzalez

832.767.9673

j.gonzalez@teaminc.com

**TEAM experts are available 24 hours a day, 7 days a week,
365 days a year.**

Find your local contact at TeamInc.com.

